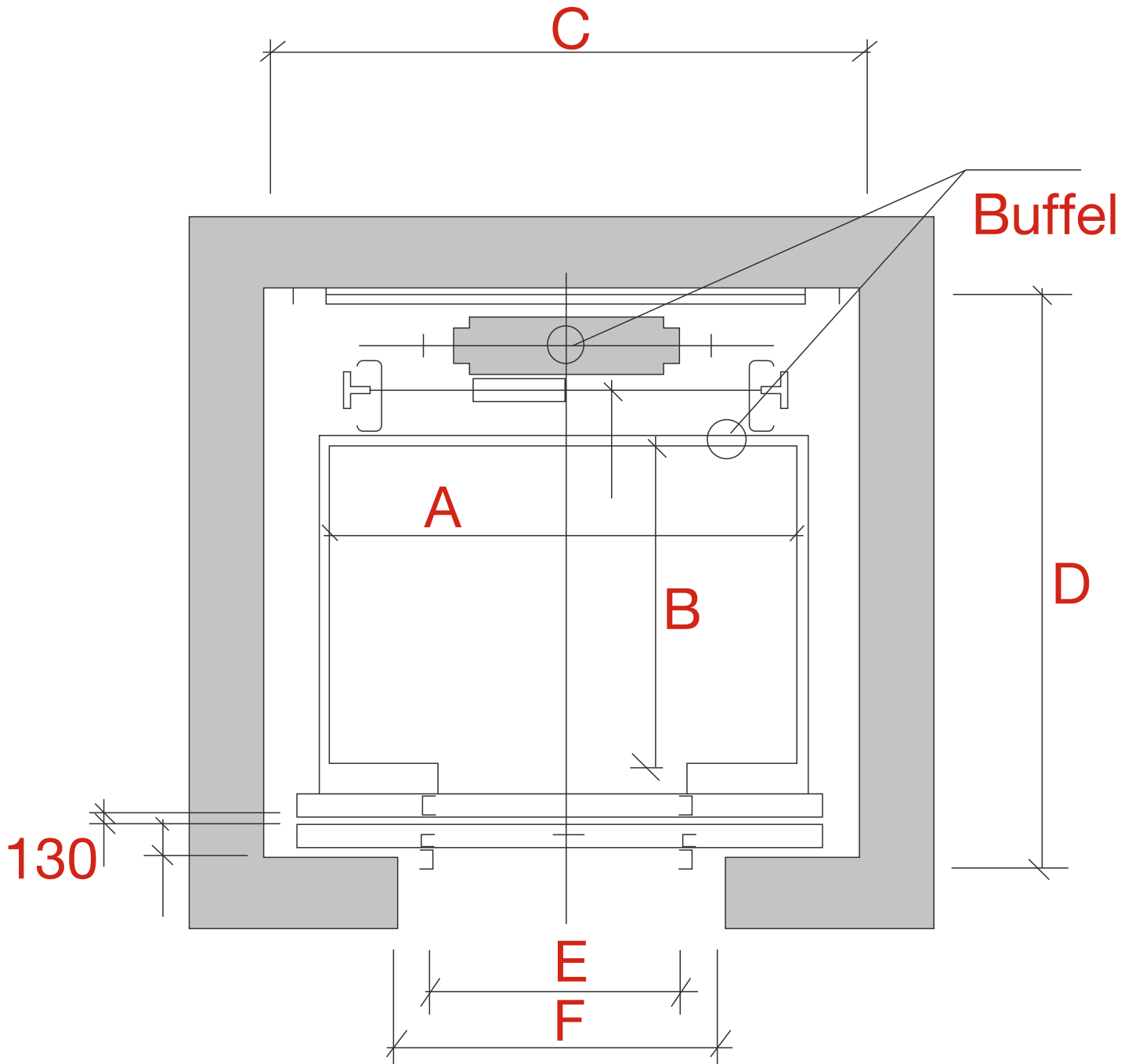


HOISTWAY PLAN LAYOUT



DIMENSIONAL DETAILS : Machine Room less Elevator

Capacity		Lift Well		Car Inside		Clear Entrance	Clear Opening at lading	
Person	Kgs.	(width) C	(depth) D	(width) A	(depth) B	E	F Auto Door	F Manual Telescopic
6	408	1800	1400	1200	900	700	780 / 2100	1450 / 2350
8	544	1900	1600	1300	1100	800	880 / 2100	1600 / 2350
10	680	1900	1800	1300	1300	800	880 / 2100	1600 / 2350
13	884	2200	1900	1600	1400	900	980 / 2100	1700 / 2350

All Dimension are in mm | This is General Data, it may be changed without notice
All hoist way wells should be minimum 230 brick 150 mm R.C.C.